



T W O B U R N E R

# STOVE

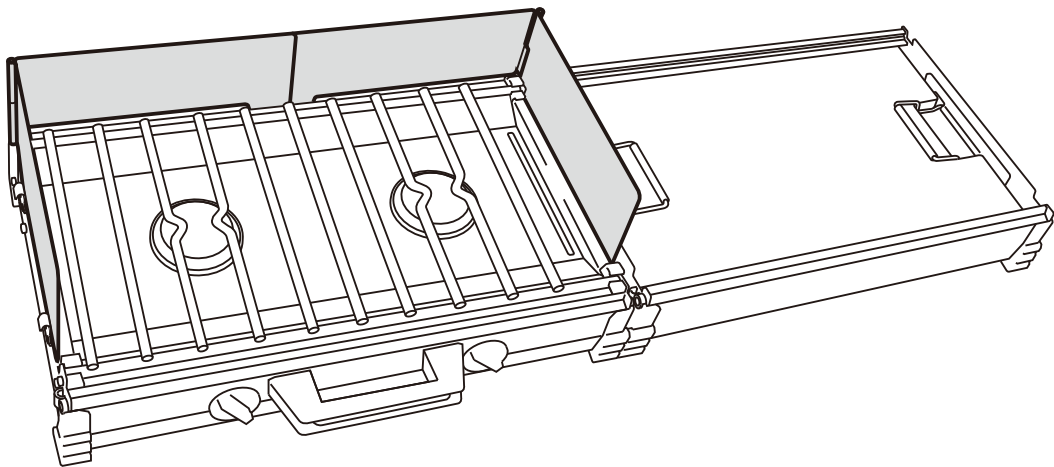
OD - 2AL

Patent Pending

Manual  
Instruction

Congratulations on your purchase of SOTO's Two Burner Stove. This manual contains important information and instructions about the use and maintenance of the product. Keep this manual for future reference. Be sure to read completely before using the OD-2AL, Two Burner Stove. Review this manual regularly to maintain awareness of operational procedures and warnings.

Pay special attention to information following the safety alert words: **WARNING** and **CAUTION**.



## GENERAL SAFETY INFORMATION

This manual contains important information about the assembly, use and maintenance of the OD-2AL propane stove. Keep this manual for future reference. Be sure to read completely before using the OD-2AL. Keep this manual and review it regularly to maintain awareness of procedures and warnings. This manual should be read in conjunction with the warnings on the unit. Failure to follow the warnings printed in this manual and on the stove may result in fire, property damage, injury or death. Pay particular attention to information accompanied by the safety alert words: DANGER, WARNING and CAUTION

### FOR YOUR SAFETY

If you smell gas:

1. Do not attempt to light appliance.
2. Extinguish any open flame.
3. Disconnect from fuel supply.

### WARNING!

Do not store or use gasoline or any liquids with flammable vapors in the vicinity of this or any other heat producing appliance.

### CARBON MONOXIDE HAZARD

This appliance can produce carbon monoxide which has no odor. Using it in an enclosed space can result in serious injury or death. Never use this appliance in an enclosed space such as a camper, tent, car or home.

### DANGER EXPLOSION — FIRE HAZARD

A hazardous situation which can result in death or serious injury is inevitable if the following situations are not avoided:

- Never store propane near high heat, open flames, pilot lights, direct sunlight, or other ignition sources or where temperatures exceed 120 degrees F (49 degrees C).
- Propane is heavier than air and can accumulate in low places. If you smell gas, leave the area immediately.
- Never install or remove the propane tank while outdoor stove is lighted, near flame, pilot lights, other ignition sources or while outdoor stove is hot to the touch.
- During operation, this product can be a source of ignition. Never use the stove in spaces that contain or may contain volatile or airborne particles or unknown chemicals. Minimum clearance from combustible materials: 12 inches from the sides and 48 inches from the top

### WARNING

A potentially hazardous situation could result in death or serious injury if the following situations are not heeded:

- Never leave stove unattended when hot or in use.
- Keep out of the reach of children.
- Not for use inside home, tent, RV or any area with poor ventilation.

### WARNING (continued)

- Use the preset regulator that came with the stove. Do not attempt to adjust this regulator.
- This product is fueled by propane gas. Propane gas is invisible, odorless, and flammable. An odorant is normally added to help detect leaks. The smell can be described as that of "rotten eggs". The odorant can fade over time so leaking gas is not always detectable by smell alone.
- Propane gas is heavier than air and leaking propane will sink to the lowest level possible. Ignition sources can include matches, lighters, sparks or open flames of any kind many feet away from the original leak. Use only propane gas set up for vapor withdrawal.
- Propane gas should be stored or used in compliance with local ordinances and codes or with ANSI/NFPA 58.
- Turn off propane when not in use.
- This fuel, and byproducts from the combustion of this fuel, contain chemicals known to cause cancer, birth defects, or other reproductive harm in the state of California (CALIFORNIA PROPOSITION 65).

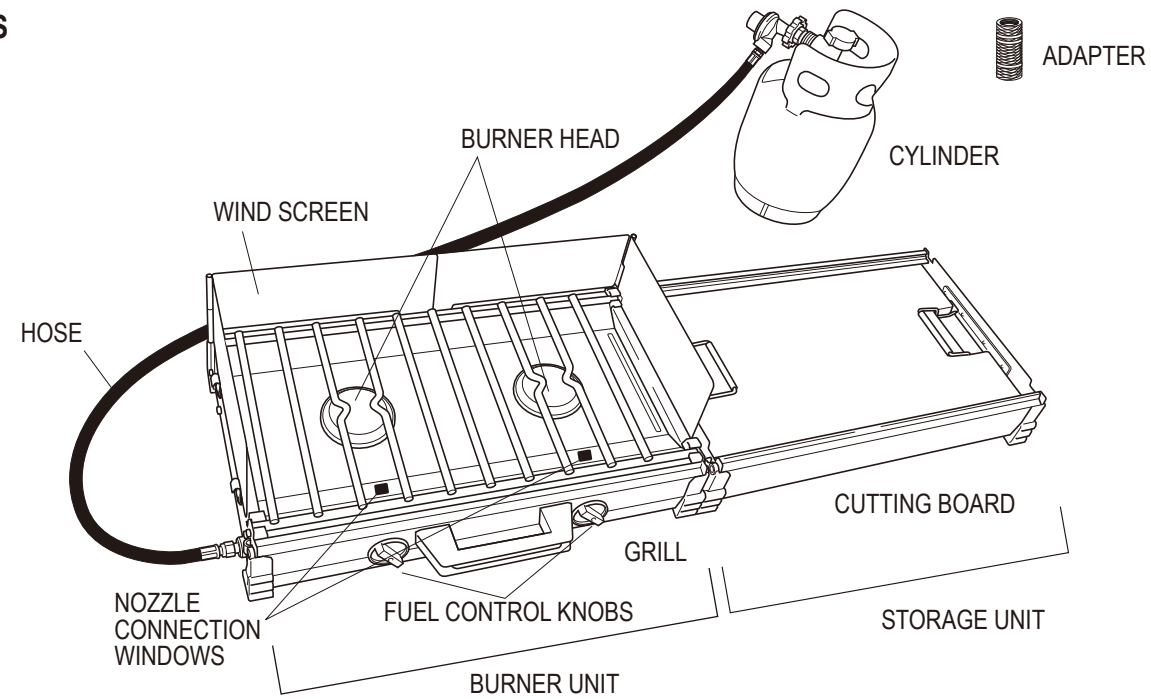
### CAUTION

A potentially hazardous situation may result in minor or moderate personal injury or property damage if the following situations are not avoided:

- This stove is a combustion appliance. All combustion appliances produce carbon monoxide (CO) during the combustion process. This product is designed to produce extremely minute, non-hazardous amounts of CO if used and maintained in accordance with all warnings and instructions. Do not block air flow into or out of the stove. CO produces flu-like symptoms, watery eyes, headaches, dizziness, fatigue and possibly death. If these symptoms are present during operation of this product get fresh air immediately!
- Keep all connections and fittings clean. Inspect propane cylinder and stove propane connections for damage before attaching.
- During set up, check all connections and fittings for leaks using soapy water. Never use a flame. Bubbles indicate a leak. Check that the connection is not cross-threaded and that it is tight. Perform another leak check. If there is still a leak, remove the cylinder and contact SOTO for service.
- Use as a cooking appliance only. Never alter in any way or use with any device or part not expressly approved by SOTO.
- Clean stove frequently to avoid grease accumulation and possible grease fires.

### FOR OUTDOOR USE ONLY

## ■ PARTS



## ■ SPECIFICATIONS

Size: Width 43" x Depth 15" x Height 7.5"  
(includes use of the windscreen.)

Size when closed: Width 21.5" x Depth 15" x Height 7"

Weight: 23.4 LB

Materials: Body - Aluminum/Stainless Steel,

Grill - Steel with chrome,

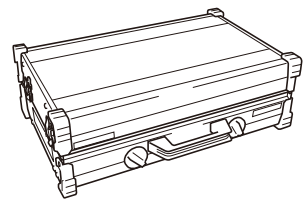
Windscreen - Hot dipped Aluminized Steel,

Cutting board - Polyethylene.

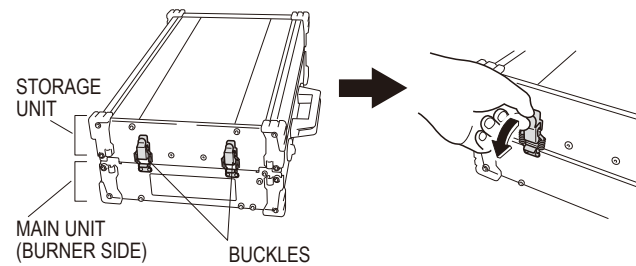
Fuel: LP gas (Propane)

Output: 15,000 BTU per burner head

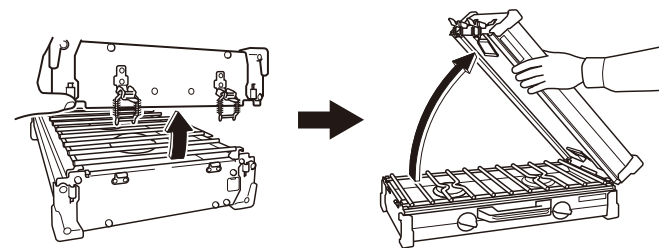
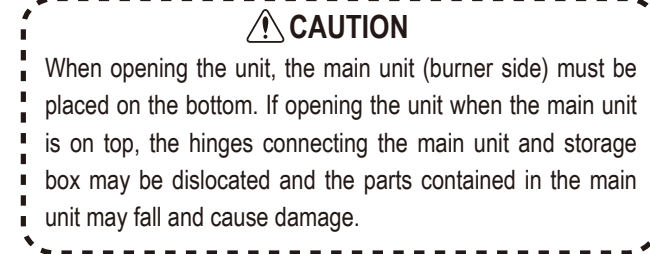
## ■ PREPARING THE RANGE FOR USE



1. Place the range on a flat, stable surface making sure that the main unit (burner side with handle and control knobs) of the range is on the bottom.

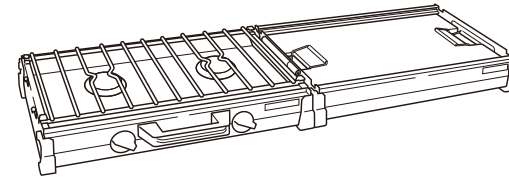


2. Unlock both buckles.

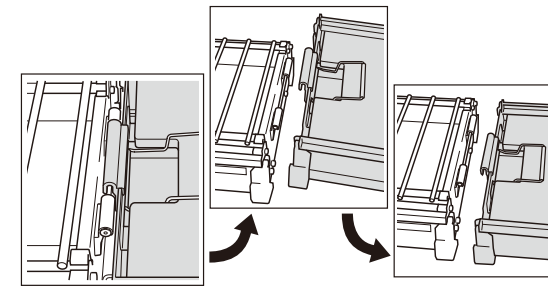


3. Open the storage box (box with attached buckles) as shown in the picture.

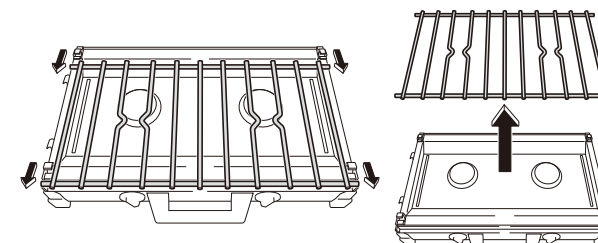
## ■ PREPARING THE RANGE FOR USE



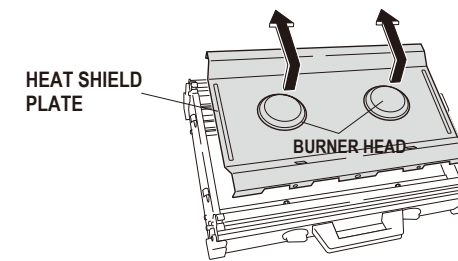
4. Open the unit flat as shown.



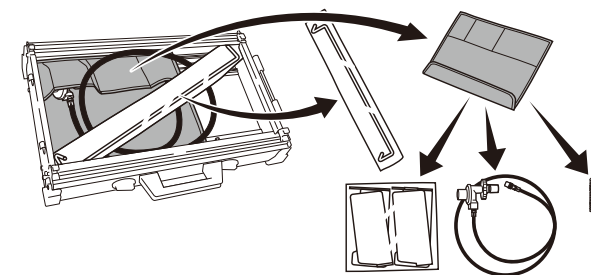
5. If you wish to use the burner unit alone, lift the storage unit to remove it from the main unit.



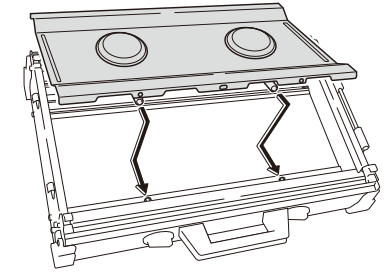
6. Pull the grill up and forward.



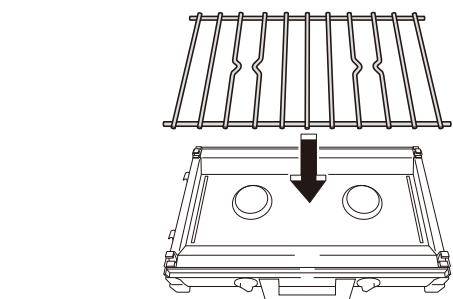
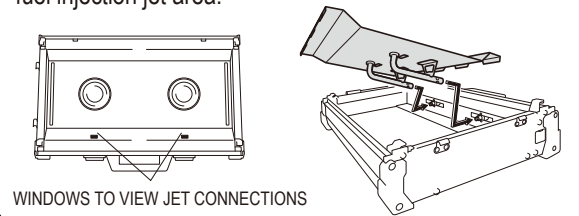
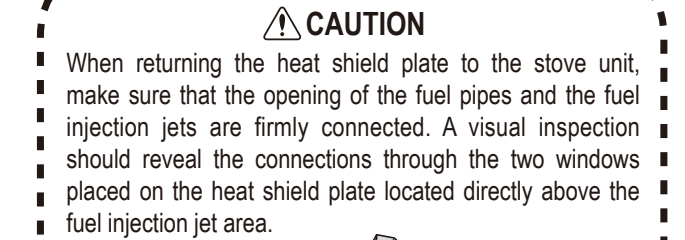
7. Hold both burner heads with your hands. Then, lift and pull backward as shown in the picture.



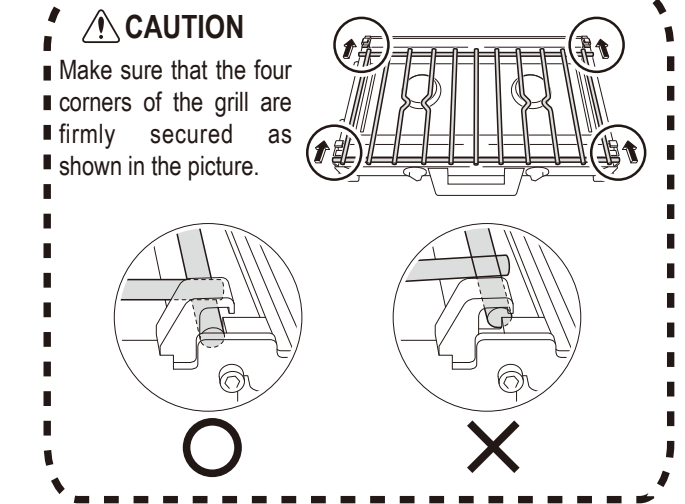
8. Remove pouch containing the windscreen, adapter and the hose/regulator unit.



9. Return the heat shield plate to the burner unit.

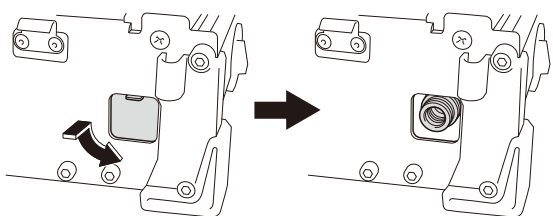


10. Place the grill as shown.

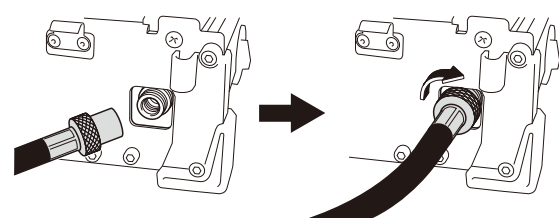




### CONNECTING THE HOSE



11. Open the cover located at the left side of the main unit to connect the hose.

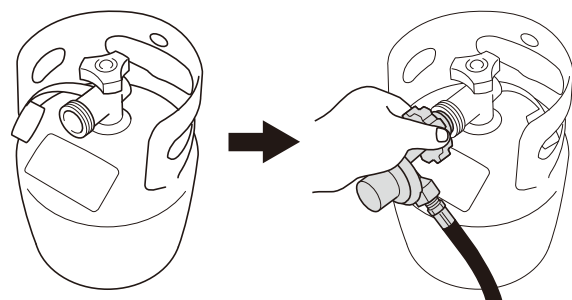


12. Connect the adapter located at the end of the hose to the threaded pipe located on the main unit, then turn the adapter clockwise until it is firmly secured.

#### CAUTION FOR GAS LEAKS

Make sure there is no damage to the hose, fittings and all other hose components. Use soapy water to detect gas leakage. Apply soapy water to the hose and fittings after they are connected and open the gas valve located on the cylinder. If any bubbles are detected there is a leak. DO NOT use the unit. Replace the hose/regulator unit immediately.

### CONNECTING TO LARGE TANK



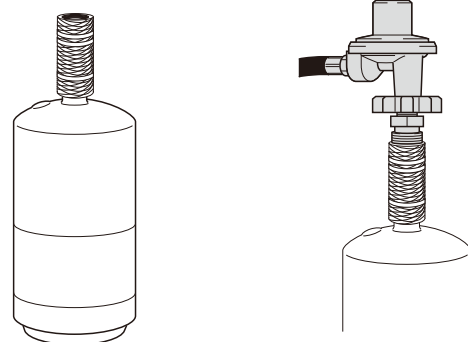
13. Securely connect hose unit to the propane gas cylinder.

#### CAUTION

Please note that the hose unit threads to the cylinder are to be turned counterclockwise when connecting.

### CONNECTING TO A SMALL DISPOSABLE CYLINDER

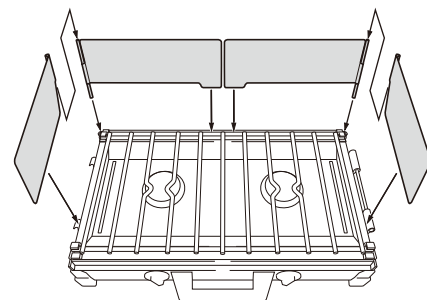
14. Hand tighten adapter to the disposable cylinder (either 14.1 oz or 16.4 oz).  
15. Securely connect hose to adapter. Check for leaks.



#### CAUTION

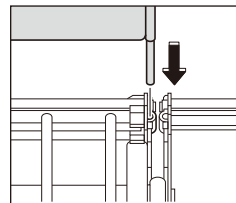
ONLY USE CYLINDERS IN UPRIGHT POSITION. Using upside down or on side will result in feeding liquid propane into the system and can result in a fire hazard.

### INSTALLING THE WINDSCREEN

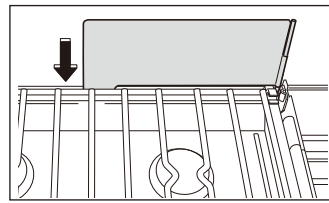


16. There are four sections of the windscreen. Place the windscreen section(s) as shown in the picture.

17. Install the back windscreens first.



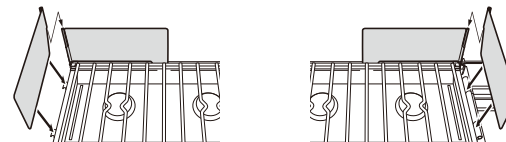
Insert the rod attached to the windscreen into the hole located at the corner of the main unit as shown.



When installing the backside windscreen, insert the tongue in the slot located between the wall of the main unit and the heat shield plate. Repeat for the other side.

### INSTALLING THE WINDSCREEN

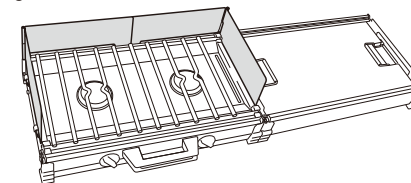
18. Place the side windscreens



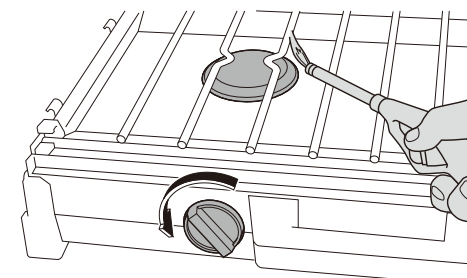
1. Insert the side screen's hole onto the pole located at the end of the front-end windscreen.  
2. Place the side windscreen firmly into the slot located between the buckle hooks. Do the same for the other side screen.

#### CAUTION

When the main unit is used in conjunction with the storage unit, place the side windscreen between the main unit and the storage unit.

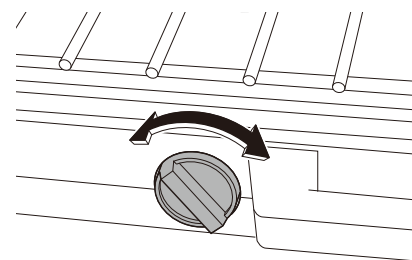


### IGNITING THE STOVE



19. Make sure that all components are appropriately connected. Turn the cylinder valve on. Turn the fuel control knob counterclockwise while lighting with an ignition source such as a lighter or match.

### CONTROLLING THE FLAME

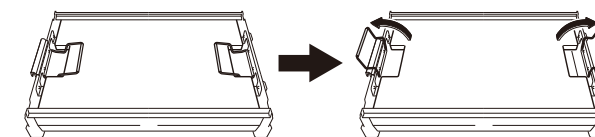


20. Control flame by turning the fuel control knob and observing the flame.

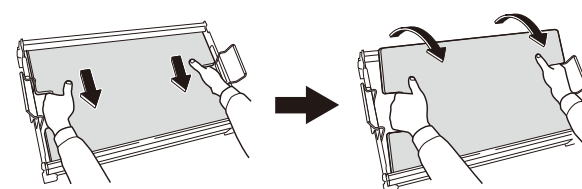
### EXTINGUISHING THE FLAME

21. Turn the fuel control knob clockwise until it stops. Confirm that the flame is completely extinguished.

### REMOVING THE CUTTING BOARD

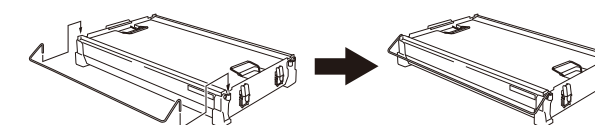


22. Lift both locking handles as shown.



23. Pull the cutting board toward you with both hands. Lift as shown.

### USING TOWEL/ACCESSORY BAR

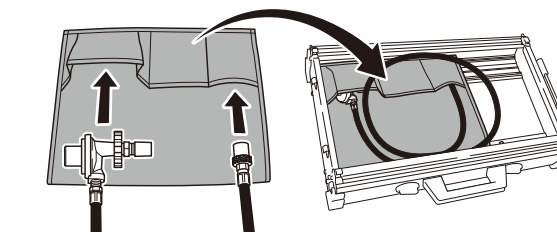


24. Attach the towel/accessory bar as shown. Be sure to detach bar before closing range for storage.

### STOWING AND MAINTENANCE

25. Stow the stove unit after it is completely cooled. When stowing, wipe off the unit with a dry cloth and keep the unit in a dry area. When stowing this stove, keep out of the reach of children.

### STOWING THE HOSE



26. Insert the hose regulator and adapter into the slot located in the pouch, stow under the heat shield plate located in the main unit.

# OD-2AL

## Two Burner Stove for Family Camping

Patent Pending

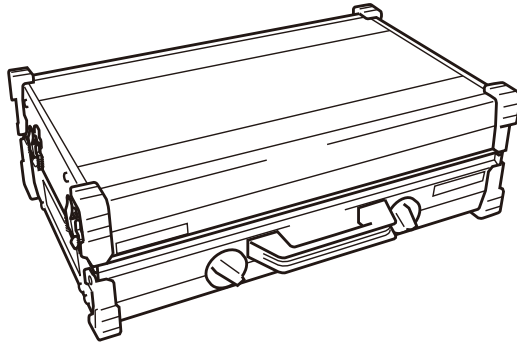
This 2 burner stove is ideal for long-term camping, tailgating, and many other outdoor events. Built tough yet beautifully crafted. Carry like a suit case. The unit comes with a resin cutting board and contains a towel and cooking utensil rack, and foldable windscreen.

**OUTPUT**/burner: 3780kcal/hour (4400W or 15000BTU)

**Weight:** 10.6kg (23.4 lb.)

**Dimensions when in use:** 109 x 38 x 19cm (43 x 15 x 7.5inch)

**Dimensions when stowed:** 54.6 x 38 x 17.8cm (21.5 x 15 x 7inch)



### Shin Fuji Burner CO.,LTD.

1-1-3 Miyukihama, Mito-cho, toyokawa-city 441-0314 Japan

Phone:+81 533 75 5000 FAX:+81 533 75 5033 URL:sotooutdoors.com

Office:

Eugene OR USA

info@sotooutdoors.com

Phone: 503-314-5119

[www.sotooutdoors.com](http://www.sotooutdoors.com)