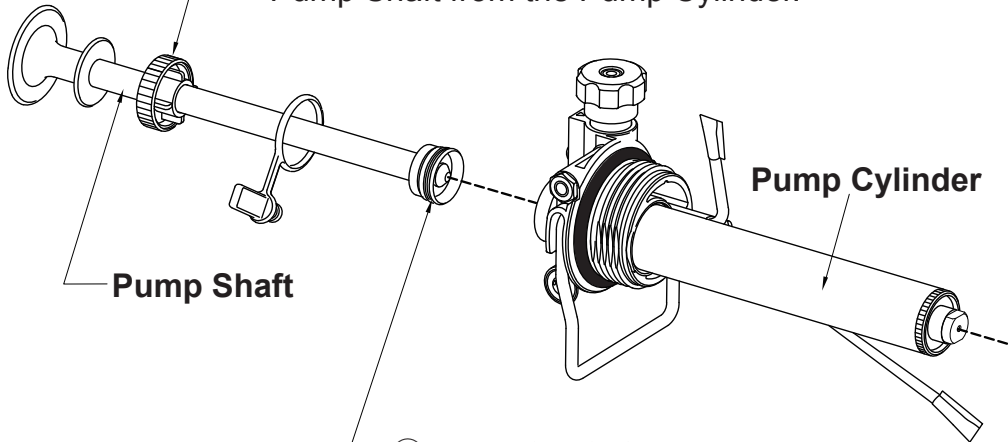


Cylinder Cap

Unscrew the Cylinder Cap to remove the Pump Shaft from the Pump Cylinder.



Pump Shaft

Pump Cylinder

9 Pump Shaft Gasket

Apply a small amount of grease to the Gasket's outer wall.

